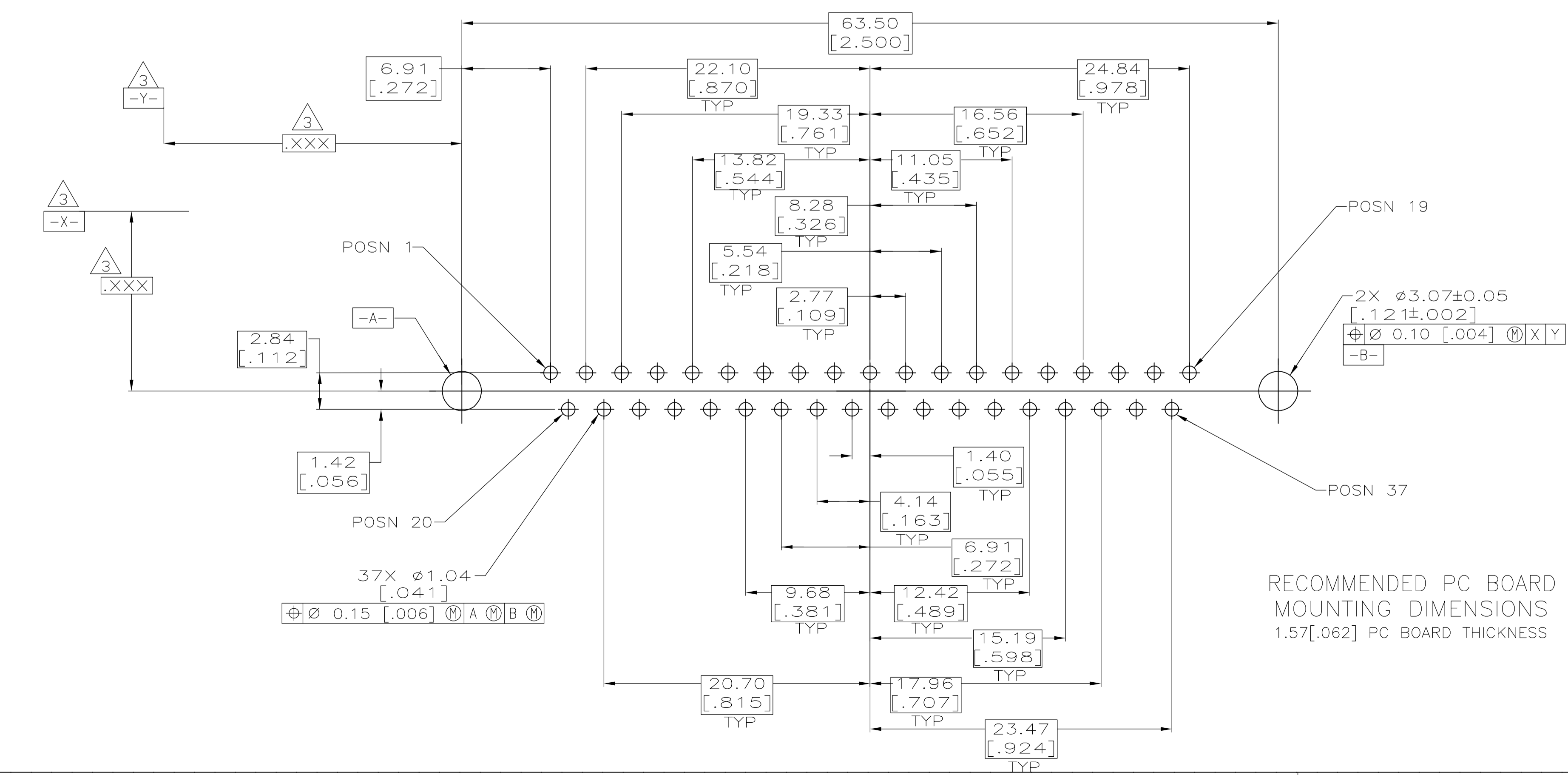
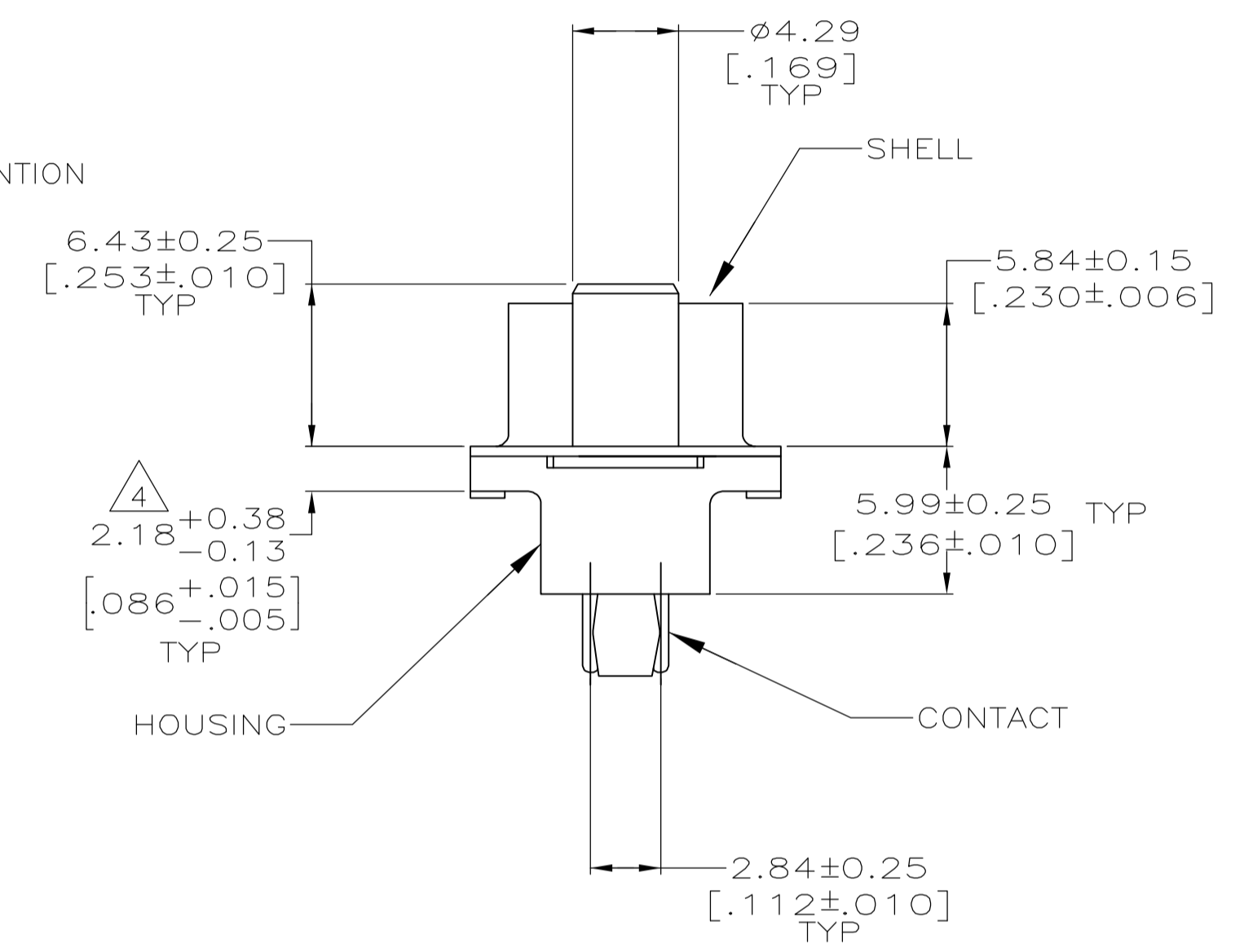
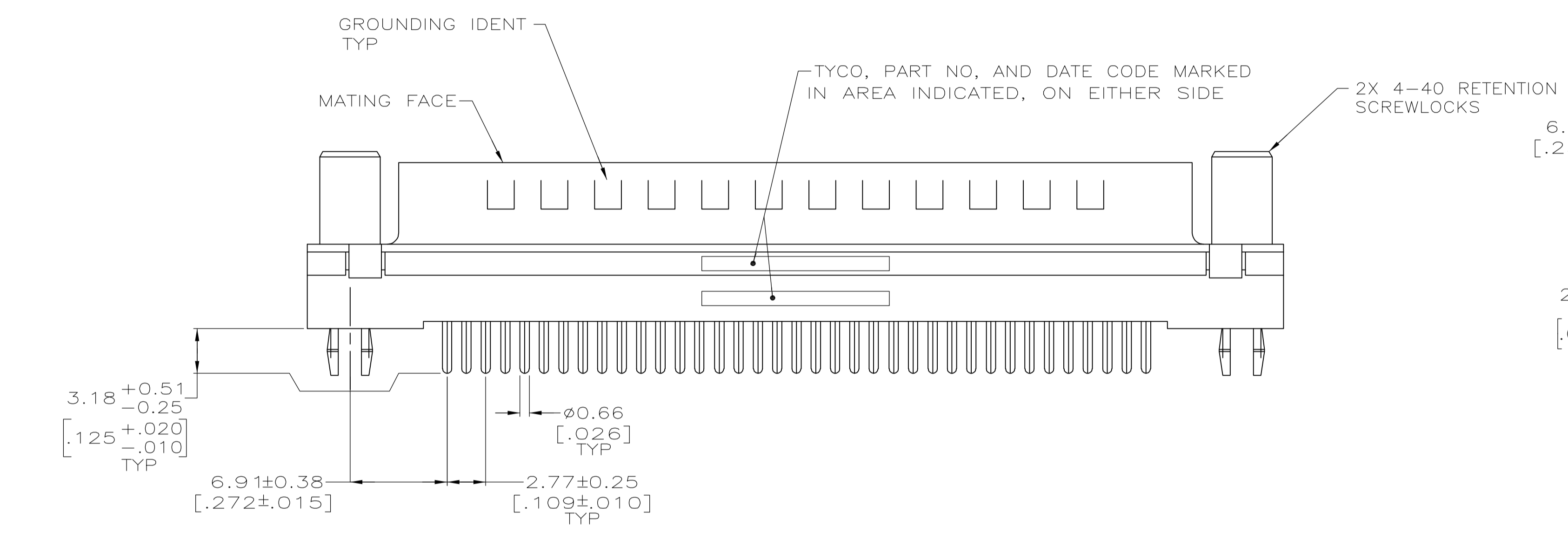


△ HOUSING: POLYESTER, UL 94V-0 RATED, COLOR BLACK.
 CONTACTS: PHOSPHOR BRONZE.
 RETENTION SCREWLOCKS: BRASS.
 SHELL: CARBON STEEL.

△ SHELL: 5.08um [.000200] MIN TIN OVER 2.54um [.000100] MIN COPPER.
 CONTACTS: 0.76um [.000030] MIN GOLD FOR A LENGTH OF 3.81 [.150] MIN FROM MATING END, 2.54um [.000100] MIN TIN ON OPPOSITE END, BOTH OVER 1.27um [.000050] MIN NICKEL.
 -OR-
 GOLD FLASH OVER 0.76um [.000030] MIN PALLADIUM NICKEL PLATED FOR A LENGTH OF 3.81 [.150] MIN FROM MATING END, 2.54um [.000100] MIN TIN ON OPPOSITE END, BOTH OVER 1.27um [.000050] MIN NICKEL.
 RETENTION SCREWLOCKS: 2.54um [.000100] MIN TIN OVER 1.27um [.000050] MIN NICKEL OVER COPPER FLASH.

△ DATUMS AND BASIC DIMENSIONS ESTABLISHED BY CUSTOMER.
 △ 2.79[.110] MAX IN SHELL TAB CLINCH AREAS.



5787686-1
 PART NUMBER

| | | | | | |
|--|--|-------------------------|--|--|------------------------|
| THIS DRAWING IS A CONTROLLED DOCUMENT. | | DIN B LATTUCA 03OCT05 | | Tyco Electronics Corporation Harrisburg, PA 17105-3608 | |
| DIMENSIONS: mm [INCHES] | | CHK S BOLASH 03OCT05 | | NAME M WALMSLEY 03OCT05 | PRODUCT SPEC 108-40025 |
| TOLERANCES UNLESS OTHERWISE SPECIFIED: | | 0 PLC ± - | | PLUG ASSEMBLY, SIZE 4, 37 POSITION, FRONT METAL SHELL, RETENTION SCREWLOCKS, AMPLIMITE HD-20 | |
| 1 PLC ± ± | | 2 PLC ± ± 0.13 [.005] | | SIZE CAE CODE DRAWING NO | |
| 2 PLC ± ± | | 3 PLC ± ± | | A1 00779 C=5787686 | |
| 3 PLC ± ± | | 4 PLC ± ± | | WEIGHT - | |
| 4 PLC ± ± | | ANGLES ± ± | | CUSTOMER DRAWING | |
| MATERIAL | | FINISH | | SCALE 4:1 SHEET 1 OF 1 REV B | |